



**ARETHA T**  
concrete table lamp



## Properties

---

This product is made of concrete. Design by Urbi et Orbi studio in 2016.

Concrete is an extremely durable material, hence can be widely used in many applications. Concrete however, can stain or scratch or break if not used with care. It behaves like marble, ceramic or stone.

The raw material that we use is a unique reinforced mixture of cement, additives enhancers and special aggregates.

## Aftercare

---

Always use soft sponges.

We recommend, not to rub the surface with sharp objects like wire, metal tools or hard sponges.



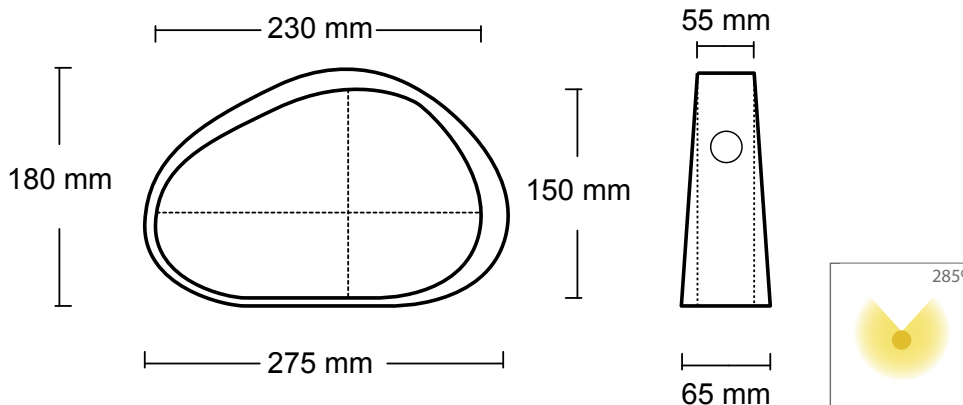
## Dimensions/Weight

Length: 27,5 cm  
Width: 5,5-6,5 cm  
Height: 18 cm  
1,3kg



## Cable/Socket/Light Bulb


Pvc Black 1.3m  
Type of socket G9  
Recommended light bulb: LED  
Light bulb not included  
Input (V):230  
Type C plug (EU)



## Energy Class

from A to A++

## Packaging

31x31x28cm  
2,5kg  
RECYCLED CARDBOARD 

 **CE IP20**

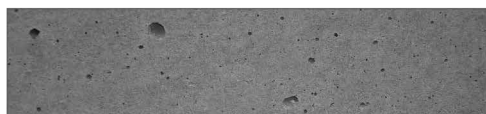
## Colors sort by category

Colored in its mass with pigments

### •Sand



### •Appearance



Every piece may appears with color tone variants at its surface, as also between the pieces or the sample. Concrete surface displays several air holes. This is a natural characteristic of concrete.